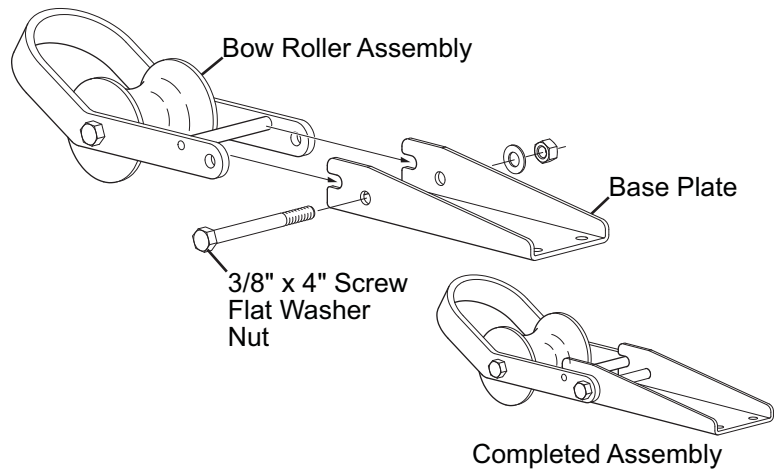


The Carefree Davit kit provides a bow roller to aid deck mounted lifts and winches for anchors. The davit assembly is designed to help lift loads of 50 pounds or less. NOTE: Additional weight limits may be required based on the winch that is installed. Refer to the winch owner's manual for weight restrictions.

Assemble the davit assembly:

1. Slide the bow roller crossbar into the slots of the base plate.
2. Attach the bow roller to the base plate using one (1) each 3/8 x 4 screw, washer and nut.



Mount the davit assembly

3. Position the davit assembly on the edge of the deck.
NOTE: The bow roller must extend over the bow or side of the boat to allow the anchor to clear the boat side when lowering or raising the anchor.
4. Mark the position of the three (3) mounting holes.
5. Set the davit assembly aside and drill three (3) 5/16" holes through the deck.
6. Place a bead of silicone around the three holes then set the davit assembly in position.
7. Secure the davit assembly using 1/4" x 3" screws, flat washers (x2), lockwashers and nuts through the holes drilled previously. Attaching hardware is furnished by the installer.

